



OLAER (Schweiz) AG
Bonnstrasse 3, CH – 3186 Düringen
Tel. 026 492 70 00, Fax 026 492 70 70
E-mail: info@olaer.ch www.olaer.ch

2,5 - 50 Litre
330 - 350 bar

Construction:

OSP 130

Bladder accumulator with hydraulic valve, flange option - pressure vessel of forged steel, seamless - heavy duty gas inlet valve - detachable

Charge pressure P_0 :

Between $0,9 P_1$ and $0,2 P_2$
Other pressure ratios on request.

Temperature range:

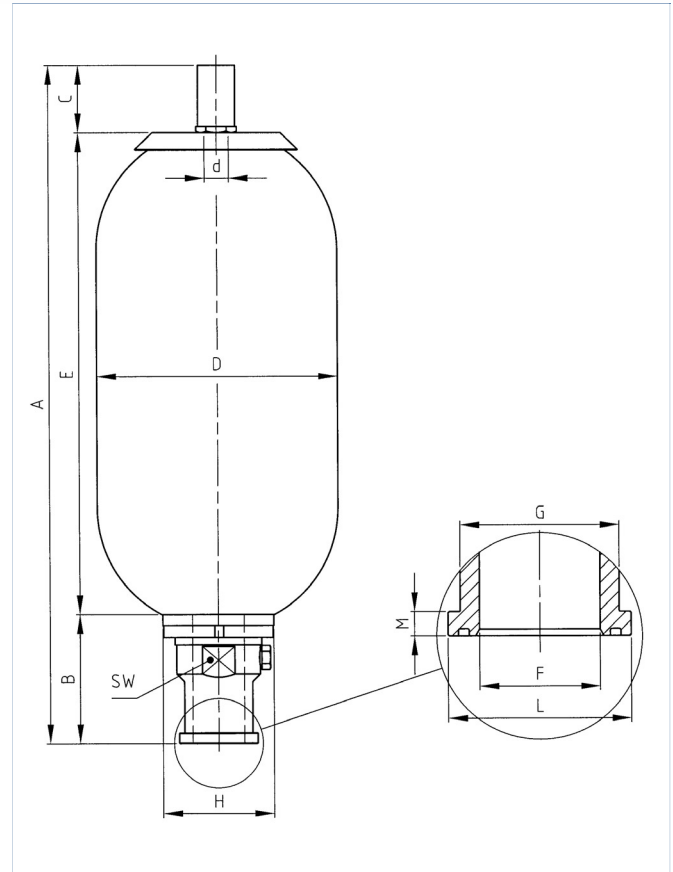
Standard model - 15°C to $+80^{\circ}\text{C}$
Other ranges on request.

Volumetric flow Q_0 :

The max. values given in the selection table apply only for a vertical installation (hydraulic assembly downwards).
Use Series GD accumulators for horizontal assembly or higher volumetric flows.

Hydraulic fluid:

Hydraulic oil (mineral oil)
Other mediums, such a bio-degradable hydraulic oil, non-inflammable liquids, water, emulsions, fuels, ect. should be specified at the time of ordering.



Installation:

Vertical (hydraulic assembly downwards) to horizontal.
Leave a space of 200mm free above the gas inlet valve for attaching the tester and pressurizer instrument.

Mounting:

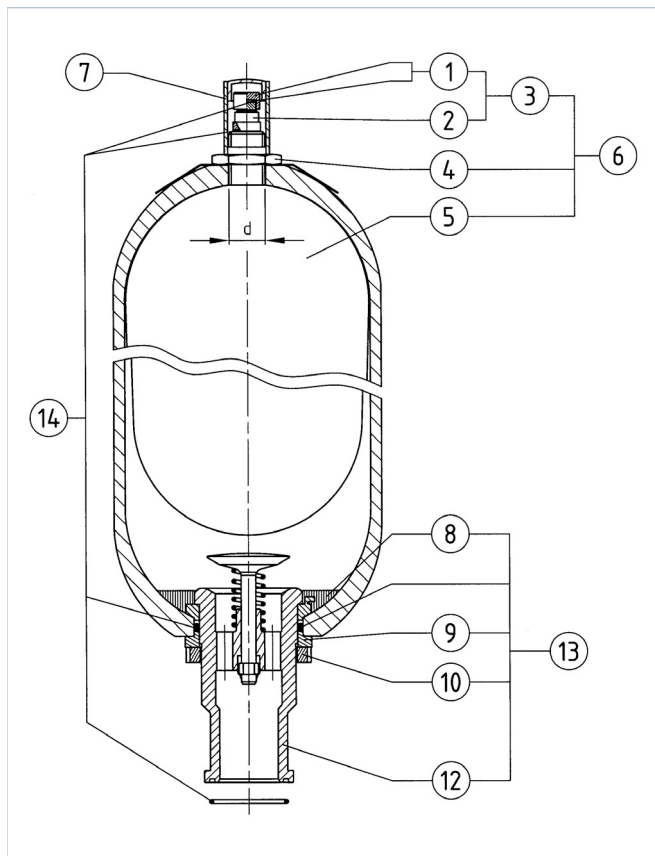
With SAE-flange halves (see Specifications Sheet OSP 785)
IHVF 2,5 bis 10 L: 1" SAE 6000 PSI
IHVF 10K bis 50: 1½" SAE 6000 PSI
For mounting with band clamps see Data Sheet 12 "Accessories-Mounting".

Model	Gasvol. V_0 Liter	Work press. bar	Weight kg	$Q_{max.}$ l/min	Dimensions in mm												
					A	B	C	$\varnothing D$	$\varnothing d$	E	$\varnothing F$	$\varnothing G$	$\varnothing H$	SW	M	$\varnothing L$	
IHVF 2,5 - 350 / 90	2,4	350	12	450	591	111	65	115	22	415	22	38	68	50	9,5	47,9	
IHVF 4 - 350 / 90	3,7	350	15	450	446	110	35	170	22	301	22	38	68	50	9,5	47,9	
IHVF 5 - 350 / 90	5	350	19	450	940	111	65	115	22	764	22	38	68	50	9,5	47,9	
IHVF 6 - 350 / 90	6	350	21	450	602	110	65	170	22	427	22	38	68	50	9,5	47,9	
IHVF 10 - 350 / 90 - L	10	350	29	450	867	110	65	170	22	692	22	38	68	50	9,5	47,9	
IHVF 10 - 330 / 90 - K	9,2	330	31	900	623	143	65	222	22	415	34	50	101	70	12,5	63,8	
IHVF 12 - 330 / 90	11	330	36	900	723	143	65	222	22	515	34	50	101	70	12,5	63,8	
IHVF 20 - 330 / 90	17,8	330	51	900	933	143	65	222	22	725	34	50	101	70	12,5	63,8	
IHVF 24 - 330 / 90	22,5	330	54	900	1068	143	65	222	22	860	34	50	101	70	12,5	63,8	
IHVF 32 - 330 / 90	32	330	81	900	1458	143	65	222	22	1250	34	50	101	70	12,5	63,8	
IHVF 50 - 330 / 90	48,5	330	101	900	1979	143	70	222	50	1766	34	50	101	70	12,5	63,8	

Spare parts lists:

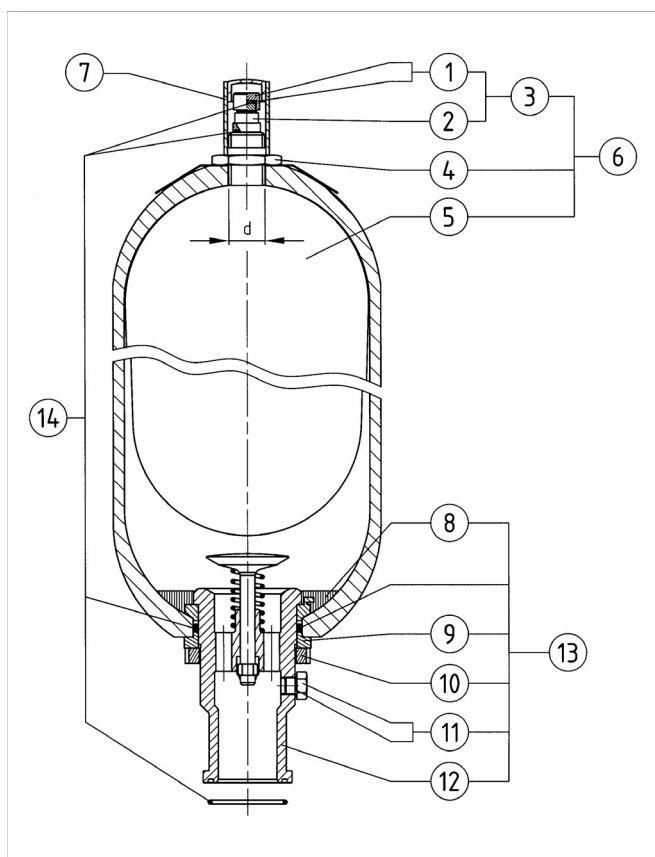
Models : IHVF 2,5 to IHVF 10 - L

Part No.	Part	Rec. spare part
1	Valve cap and gasket	
2	Gas inlet valve and gasket	
3	Gas inlet valve complete	
4	Nut	
5	Bladder $\varnothing d = 22\text{mm}$	
6	Bladder assembly $\varnothing d = 22\text{mm}$	x
7	Protective cap	
8	Anti-extrusions ring / retention washer	x
9	Gland ring	
10	Ring nut	
12	Hydraulic valve sub-assembly	
13	Hydraulic valve assembly complete	
14	Gasket assembly (contains all gaskets)	x



Models : IHVF 10 - K to IHVF 50

Part No.	Part	Rec. spare part
1	Valve cap and gasket	
2	Gas inlet valve and gasket	
3	Gas inlet valve complete	
4	Nut	
5a	Bladder $\varnothing d = 22\text{mm}$	
5b	Bladder $\varnothing d = 50\text{mm}$	
6a	Bladder assembly $\varnothing d = 22\text{mm}$	x
6b	Bladder assembly $\varnothing d = 50\text{mm}$	x
7	Protective cap	
8	Anti-extrusions ring / retention washer	x
9	Gland ring	
10	Ring nut	
11	Venting screw and gasket	
12	Hydraulic valve sub-assembly	
13	Hydraulic valve assembly complete	
14	Gasket assembly (contains all gaskets)	x



Order example :

Bladder assembly for Accumulator IHV 12 - 330 Part No. 6a