



OLAER (Schweiz) AG

Bonnstrasse 3, CH – 3186 Düringen
 Tel. 026 492 70 00, Fax 026 492 70 70
 E-mail: info@olaer.ch www.olaer.ch

20 - 50 bar

Construction

OSP 315

Bladder accumulator / Half bladder accumulator with sieve plate or vulcanized metal head - pressure vessel of steel or stainless steel, welded - heavy duty gas inlet valve - **not** detachable.

Charge pressure P_0

Between 0,9 P_1 and 0,2 P_2 max. 20 bar
 Other pressure ratios on request.

Temperature range

* = - 6°C / + 80°C
 ** = -15°C / +100°C
 Other ranges on request.

Volumetric flow Q

The max. values given in the selection table apply only for a vertical installation (hydraulic assembly downwards). If the accumulator is mounted horizontally or when the volumetric flow is higher, please inquire of OLAER.

Hydraulic fluid

Hydraulic oil (mineral oil)
 Other mediums, such as bio-degradable hydraulic oil, non-flammable liquids, water, emulsions, fuels, ect. should be specified at the time of ordering.

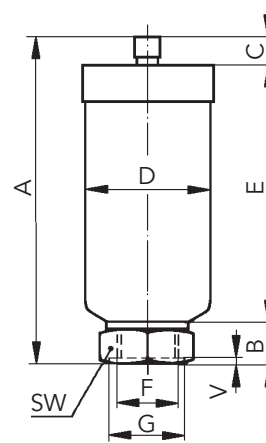
Installation

Vertical (hydraulic assembly downwards) to horizontal.
 Leave a space of 200mm free above the gas inlet valve for attaching the tester and pressurizer instrument.

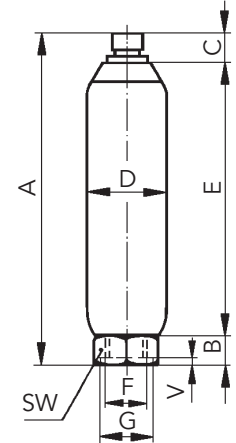
Method of mounting

Directly on piping

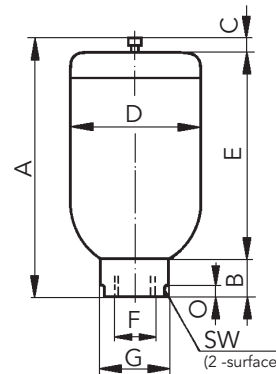
Picture I



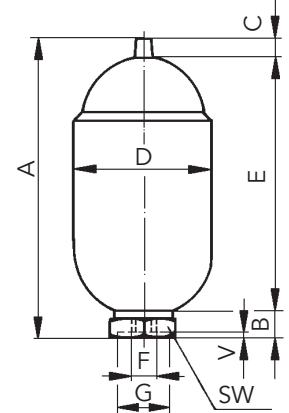
Picture II



Picture III



Picture IV



Reduction



Model	Gasvol. V_0 Liter	Work. press. bar	Masse kg	Q max. l / min	Pict	Dimensions in mm											
						A	B	C	$\varnothing D$	E	F	$\varnothing G$	J	K	SW	O	V
OLG 0,13 - 50/00 - RF **	0,13	50	0,3	180	I	136	16	13	50	107	G 3/8"	33	G 3/8"	8	36	-	0,5
OLV 0,2 - 50/00 *	0,2	50	0,6	180	II	220	18	30	50	172	G 3/8"	32	G 3/8"	8	35	-	0,5
OLG 1 - 20/00 **	1	20	1,6	240	III	210	31	11	107	168	G 1"	55	G 1/4"	11	46	10	-
OLG 4 - 20/00 - RF **	3,8	20	3,5	240	IV	337	28	16	155	299	G 3/8"	36	G 3/8"	8	41	-	1,5
OLG 4 - 20/90 - RF ** (1)	3,8	20	3,7	450	IV	340	40	16	155	284	G 2"	73	G 1"	13	82	-	1,5

Issued in accordance with PED 97/23/EC, article 3 clause 3, without CE market
 (1) Issued in accordance with PED 97/23/EC, with CE market

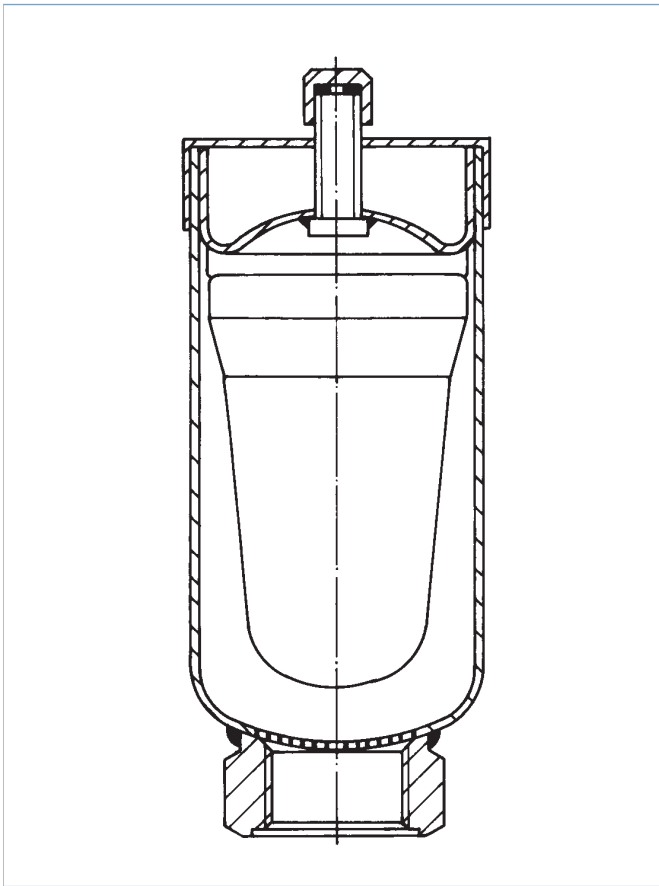
RF = completely in stainless steel

Manufacturer's tolerances not taken into account

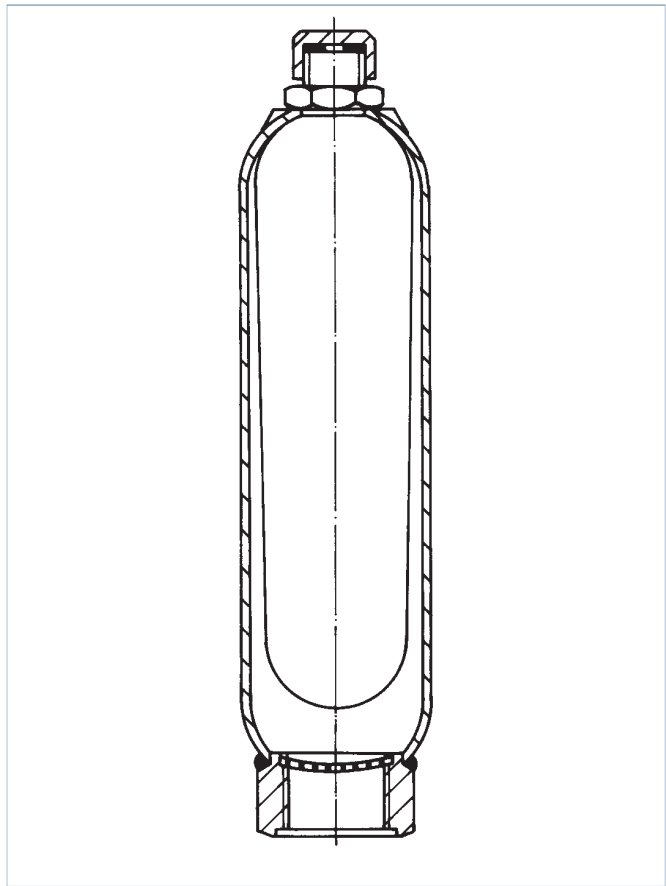
The right to make modifications reserved

Sectional pictures

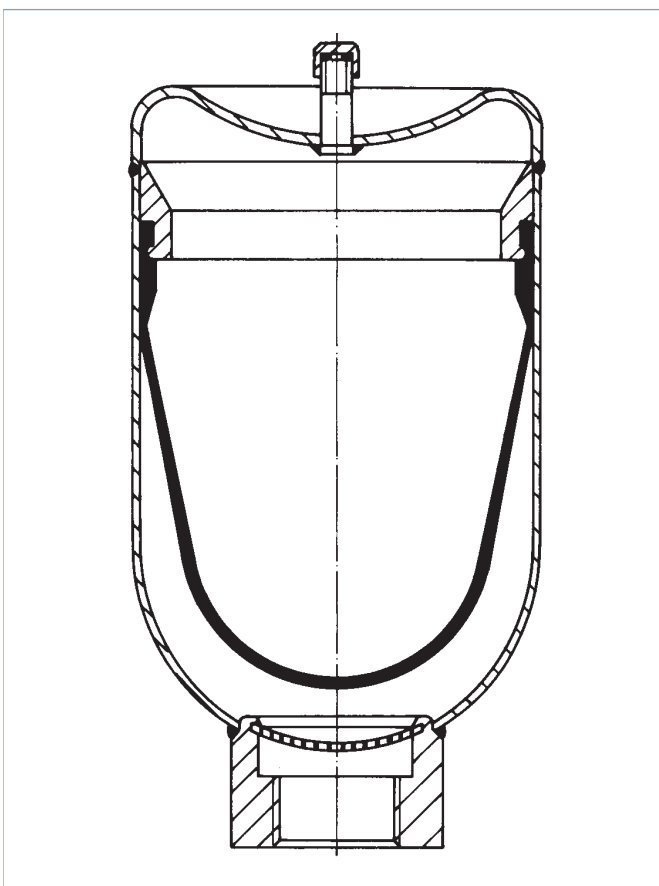
Model: OLG 0,13 - 50



Model: OLV 0,2 - 50



Model: OLG 1 - 20



Model: OLG 4 - 20

