



OLAER (Schweiz) AG

Bonnstrasse 3, CH - 3186 Düringen
Tel. 026 492 70 00, Fax 026 492 70 70
E-mail: info@olaer.ch www.olaer.ch

0,075 - 3,5 Liter
100 - 250 bar

Construction

OSP 320

Membrane accumulators with integrated disc, pressure vessel in steel - gas locking screw - **not** demountable.

Charge pressure P_0

Ratio P_{max}/P_0 see range table.

Temperature range

¹⁾ - 10°C to + 80°C

²⁾ - 20°C to + 80°C

Other temperatures on request.

Hydraulic fluid

Standard execution for hydraulic oil (mineral oil).

Other membrane materials on request.

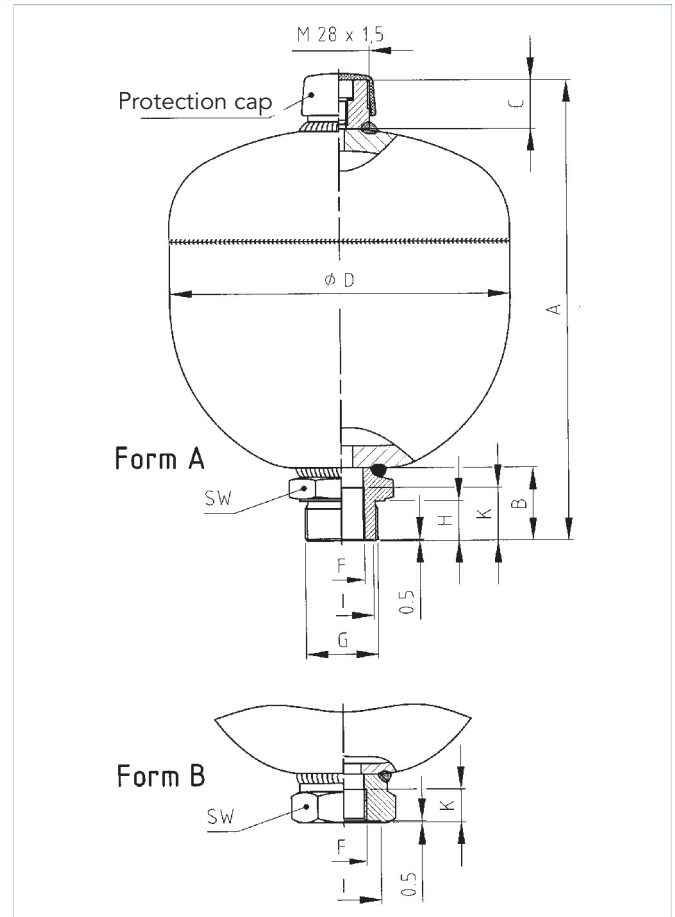
Installation

User-defined.

Leave a space of 200mm free above the gas locking screw for attaching the tester and pressurizer VGU, this is to tighten with a torque of 2 Nm.

Method of mounting

With clamps see data sheet OSP 775 or by form A per outside thread M 33 x 1,5 and lock nut.



Model	Gasvol. V_0 Liter	Work press bar	P_{max} $/P_0$	Weight kg	Dimensions in mm										Con- nection form
					A	B	C	$\varnothing D$	F	G	H	I	K	SW	
OLM 0,075 - 250 / 00 * ¹⁾	0,075	250	8 : 1	0,7	111	20	22	64	G ½"	-	-	29	14	32	B
OLM 0,16 - 250 / 00 * ¹⁾	0,16	250	6 : 1	1,0	120	20	22	75	G ½"	-	-	29	14	32	B
OLM 0,32 - 210 / 00 * ¹⁾	0,32	210	8 : 1	1,4	134	20	22	93	G ½"	-	-	29	14	32	B
OLM 0,5 - 210 / 00 * ²⁾	0,5	210	8 : 1	2,0	152	22	22	106	G ½"	-	-	34	17	41	B
OLM 0,5 - 210 / 00 * ²⁾	0,5	210	8 : 1	2,0	163	33	22	106	G ½"	M 33 x 1,5	18	-	24	41	A
OLM 0,75 - 210 / 00 * ²⁾	0,75	210	8 : 1	2,6	177	33	22	122	G ½"	M 33 x 1,5	18	-	24	41	A
OLM 0,75 - 210 / 00 * ²⁾	0,75	210	8 : 1	2,6	166	22	22	122	G ½"	-	-	34	14	41	B
OLM 1 - 210 / 00 * ²⁾	1	210	8 : 1	3,5	180	22	22	136	G ½"	-	-	34	14	41	B
OLM 1 - 210 / 00 * ²⁾	1	210	8 : 1	3,5	191	33	22	136	G ½"	M 33 x 1,5	18	-	24	41	A
OLM 1,4 - 140 / 90 * ²⁾	1,4	140	8 : 1	4,2	202	33	22	147	G ½"	M 33 x 1,5	18	-	24	41	A
OLM 1,4 - 140 / 90 * ²⁾	1,4	140	8 : 1	4,2	191	22	22	147	G ½"	-	-	34	14	41	B
OLM 1,4 - 210 / 90 * ²⁾	1,4	210	8 : 1	6,0	209	33	22	155	G ½"	M 33 x 1,5	18	-	24	41	A
OLM 1,4 - 210 / 90 * ²⁾	1,4	210	8 : 1	6,0	198	22	22	155	G ½"	-	-	34	14	41	B
OLM 2 - 100 / 90 * ¹⁾	2,0	100	8 : 1	3,5	240	22	22	145	G ½"	-	-	34	14	41	B
OLM 2 - 250 / 90 * ¹⁾	2,0	250	8 : 1	7,5	251	22	22	155	G ¾"	-	-	33	16	41	B
OLM 2,8 - 250 / 90 * ¹⁾	2,8	250	6 : 1	10,0	268	21	22	174	G ¾"	-	-	33	16	41	B
OLM 3,5 - 250 / 90 * ¹⁾	3,5	250	4 : 1	11,0	307	21	22	174	G ¾"	-	-	33	16	41	B