



## OLAER (Schweiz) AG

Bonnstrasse 3, CH – 3186 Düringen  
Tel. 026 492 70 00, Fax 026 492 70 70  
E-mail: info@olaer.ch www.olaer.ch

**0,75 - 3,5 Liter**  
**350 bar**

## Construction

**OSP 325**

Membrane accumulators with integrated disc, pressure vessel in steel - gas locking screw - **not** demountable.

## Charge pressure $P_0$

Ratio  $P_{max}/P_0$  see range table.

## Temperature range

<sup>1)</sup> - 10°C to + 80°C

<sup>2)</sup> - 20°C to + 80°C

Other temperature ranges on request.

## Hydraulic fluid

Standard execution for hydraulic oil (mineral oil).

Other membrane materials on request.

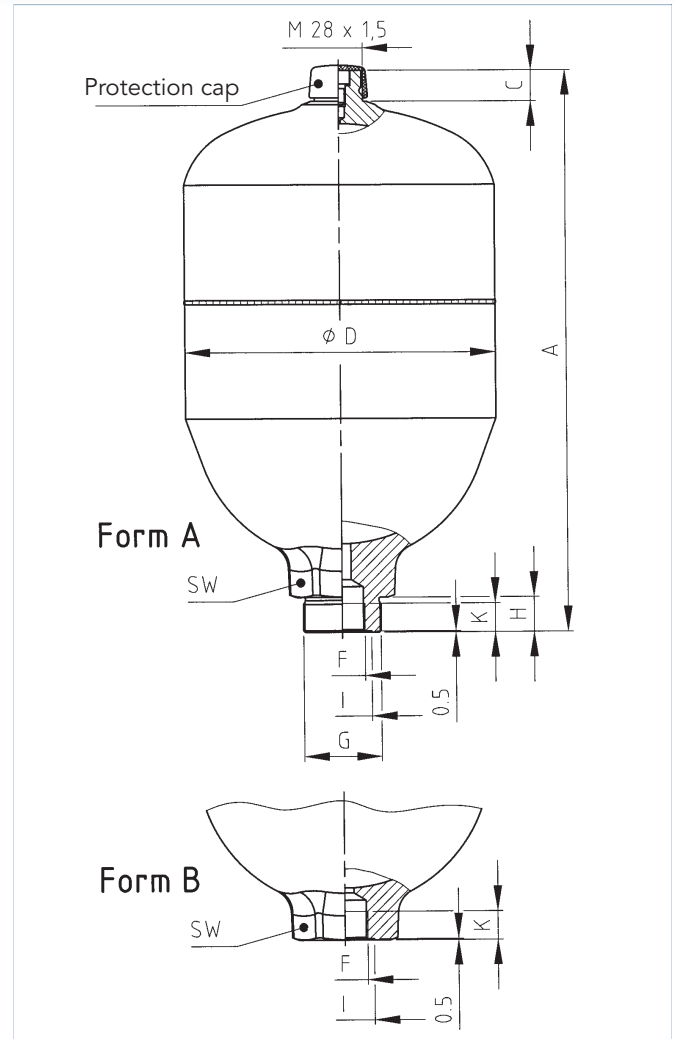
## Installation

User-defined.

Leave a space of 200mm free above the gas locking screw for attaching the tester and pressurizer VGU, this is to tighten with a torque of 2 Nm.

## Method of mounting

With clamps see data sheet OSP 775 or by form A per outside thread M 33 x 1,5 and lock nut.



Model	Gasvol. $V_0$ Liter	Work- press bar	$P_{max}$ $/P_0$	Weight kg	Dimensions in mm									Connect. form
					A	C	$\phi D$	F	G	H	I	K	SW	
OLM 0,75 - 350 / 00 * <sup>2)</sup>	0,75	350	8 : 1	4,4	189	16	133	G ½"	M 33 x 1,5	20	-	14	41	A
OLM 0,75 - 350 / 00 * <sup>2)</sup>	0,75	350	8 : 1	4,4	168	16	133	G ½"	-	-	34	14	41	B
OLM 1,4 - 350 / 90 <sup>2)</sup>	1,4	350	8 : 1	7,5	220	18	160	G ½"	M 33 x 1,5	20	-	14	41	A
OLM 1,4 - 350 / 90 <sup>2)</sup>	1,4	350	8 : 1	7,4	199	18	160	G ½"	-	-	34	14	41	B
OLM 2 - 350 / 90 <sup>1)</sup>	2,0	350	8 : 1	11,5	240	18	180	G ¾"	M 45 x 1,5	120	34	16	55	A
OLM 2 - 350 / 90 <sup>1)</sup>	2,0	350	8 : 1	11,3	219	18	180	G ¾"	-	-	34	16	55	B
OLM 2,8 - 350 / 90 <sup>1)</sup>	2,8	350	6 : 1	14,5	285	18	180	G ¾"	M 45 x 1,5	20	34	16	55	A
OLM 2,8 - 350 / 90 <sup>1)</sup>	2,8	350	6 : 1	14,3	264	18	180	G ¾"	-	-	34	16	55	B
OLM 3,5 - 350 / 90 <sup>1)</sup>	3,5	350	4 : 1	16,5	325	18	180	G ¾"	M 45 x 1,5	20	34	16	55	A
OLM 3,5 - 350 / 90 <sup>1)</sup>	3,5	350	4 : 1	16,0	304	18	180	G ¾"	-	-	34	16	55	B

Issued in accordance with PED 97/23/EG, with CE-marking

\*Issued in accordance with PED 97/23/EG, article 3 clause 3, without CE-marking