



OLAER (Schweiz) AG

Bonnstrasse 3, CH – 3186 Düringen
Tel. 026 492 70 00, Fax 026 492 70 70
E-mail: info@olaer.ch www.olaer.ch

120 - 200 bar

Construction

OSP 405

Bladder accumulator with hydraulic valve - pressure vessel of forged steel, seamless - all metal parts in stainless steel - heavy duty gas inlet valve - detachable

Charge pressure P_0

Between $0,9 P_1$ and $0,2 P_2$
Other pressure ratios on request.

Temperature range

Standard model - 15°C to $+ 80^\circ\text{C}$
Other ranges on request.

Volumetric flow Q

The max. values given in the selection table apply only for a vertical installation (hydraulic assembly downwards). If the accumulator is mounted horizontally or when the volumetric flow is higher, please inquire of OLAER.

Hydraulic fluid

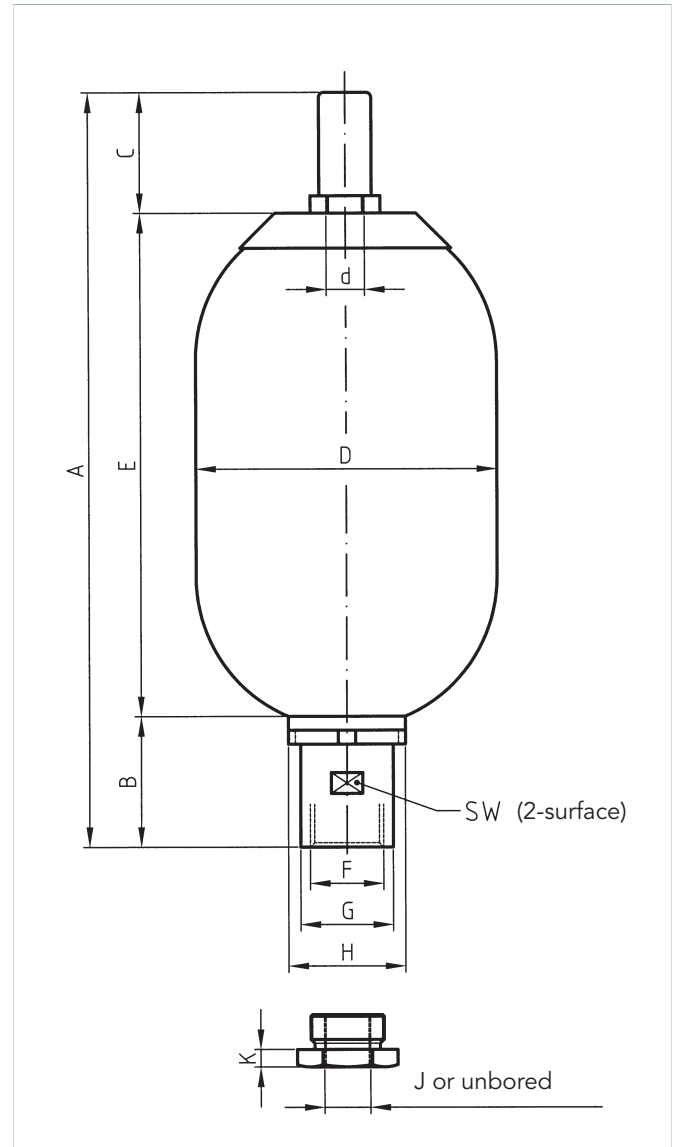
Hydraulic oil (mineral oil)
Other mediums, such as bio-degradable hydraulic oil, non-flammable liquids, water, emulsions, fuels, ect. should be specified at the time of ordering.

Installation

Vertical (hydraulic assembly downwards) to horizontal. Leave a space of 200mm free above the gas inlet valve for attaching the tester and pressurizer instrument.

Method of mounting

Clamps and brackets with rubber core, or mounting set, see data sheet OSP 775 and OSP 780 "Accumulator - Accessories".



Model	Gasvol. V_0 Litre	Work press. bar	Weight kg	Q max. l/min	Dimensions											
					A	B	C	$\varnothing D$	$\varnothing d$	E	F	$\varnothing G$	$\varnothing H$	SW	J	K
IHV 0,5 - 200 / 00 RF*	0,6	200	4,8	240	251	54	28	102	16	169	G 3/4	36	50	32	G 3/8	8
IHV 1 - 120 / 00 RF*	1	120	5,7	240	341	67	65	115	22	209	G 1 1/4	53	68	50	G 3/4	11
IHV 2,5 - 120 / 90 RF	2,4	120	10	450	539	67	65	115	22	407	G 1 1/4	53	68	50	G 3/4	11
IHV 5 - 120 / 90 RF	5	120	17	450	888	67	65	115	22	756	G 1 1/4	53	68	50	G 3/4	11

Issued in accordance with PED 97/23/EC with CE market

* Issued in accordance with PED 97/23/EC, article 3 clause 3, without CE market

Additional approvals on request

Spare parts lists

Models : IHV 0,5 to IHV 5

Part No.	Part	Rec. spare part
1	Valve cap and gasket	
2	Gas inlet valve and gasket	
3	Gas inlet valve assembly	
4	Nut	
5a	Bladder $\varnothing d = 16\text{mm}$	
5b	Bladder $\varnothing d = 22\text{mm}$	
6a	Bladder assembly $\varnothing d = 16\text{mm}$	x
6b	Bladder assembly $\varnothing d = 22\text{mm}$	x
7	Protective cap	
8	Anti-extrusions ring / retention washer	x
9	Gland ring	
10	Ring nut	
12	Hydraulic valve sub-assembly	
13	Hydraulic valve sub-assembly complete	
14	Gasket assembly (contains all gaskets)	x

Order example :

Bladder assembly for Accumulator IHV 2,5 - 120 RF Part. 6b

