



OLAER (Schweiz) AG

Bonnstrasse 3, CH - 3186 Düringen
Tel. 026 492 70 00, Fax 026 492 70 70
E-mail: info@olaer.ch www.olaer.ch

0,5 - 5 Litre
40 bar

Construction

OSP 415

Bladder accumulator with grid - welded pressure vessel - all metallic parts in stainless steel - heavy duty gas inlet valve - detachable.

Pre-charge pressure P_0

Between $0,9 P_1$ and $0,2 P_2$, max. 20 bar
Other pressure ratios on request.

Temperature range

Standard model - 15°C to $+100^{\circ}\text{C}$
Other ranges on request.

Volumetric flow Q

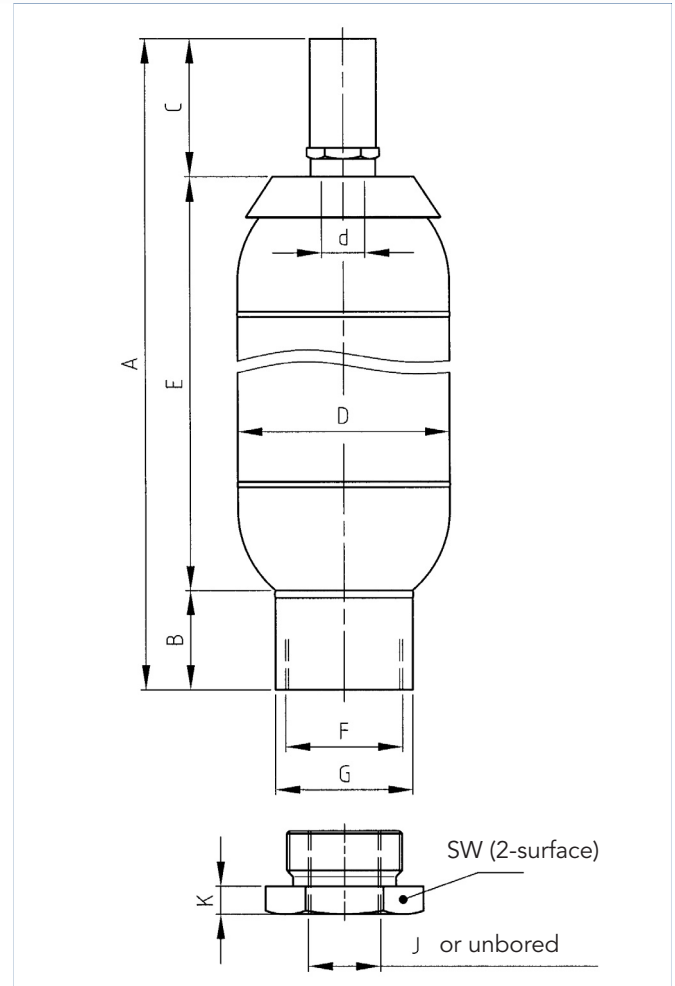
The max. values given in the selection table apply only for a vertical installation (hydraulic assembly downwards). If the accumulator is mounted horizontally or when the volumetric flow is higher, please inquire of OLAER.

Hydraulic fluid

Hydraulic oil (mineral oil)
Other mediums, such as bio-degradable hydraulic oil, non-inflammable liquids, water, emulsions, fuels, ect. should be specified at the time of ordering.

Installation

Vertical (hydraulic assembly downwards) to horizontal.
Leave a space of 200mm free above the gas inlet valve for attaching the tester and pressurizer instrument.



Method of mounting

Clamps with rubber inlays, see data sheet OSP 775 "Accumulator-Accessories".

Typ	Gasvol. V_0 Litre	Work. press- bar	Weight kg	Q max. l/min	Dimensions in mm										
					A	B	C	$\varnothing D$	$\varnothing d$	E	F	$\varnothing G$	J	K	SW
IBV 0,5 - 40 / 00 * - RF	0,5	40	2	450	240	54	30	90	16	156	G 2"	70	G 1"	13	65
IBV 1 - 40 / 00 * - RF	1	40	3	450	308	52	73	109	22	183	G 2"	70	G 1"	13	65
IBV 2,5 - 40 / 90 - RF	2,5	40	4	450	482	51	73	110	22	358	G 2"	70	G 1"	13	65
IBV 5 - 40 / 90 - RF	5	40	7	450	865	51	73	110	22	741	G 2"	70	G 1"	13	65

Spare parts lists

Models : IBV 0,5 to IBV 5

Part No.	Part	Rec. spare part
1	Valve cap and gasket	
2	Gas inlet valve and gasket	
3	Gas inlet valve assembly	
4	Nut	
5a	Bladder \varnothing d = 16mm	
5b	Bladder \varnothing d = 22mm	
6a	Bladder assembly \varnothing d = 16mm	x
6b	Bladder assembly \varnothing d = 22mm	x
7	Protective cap	
14	Gasket assembly (contains all gaskets)	x
17	Grid with spring ring	

Order example :

Bladder assembly for Accumulator IBV 2,5 - 40 - RF Pos. 6b

