



OLAER (Schweiz) AG

Bonnstrasse 3, CH – 3186 Düringen
Tel. 026 492 70 00, Fax 026 492 70 70
E-mail: info@olaer.ch www.olaer.ch

100 und 200 Litre / 16 - 40 bar

Construction

OSP 425

Bladder accumulator with sieve plate - pressure vessel welded - all metal parts in stainless steel - heavy duty gas inlet valve - detachable.

Charger pressure P_0

Between $0,9 P_1$ and $0,2 P_2$, max. 20 bar, but not higher than the operating pressure.
Other pressure ratios on request.

Temperature range

Standard model - 6°C to $+100^{\circ}\text{C}$
Other ranges on request.

Volumetric flow Q

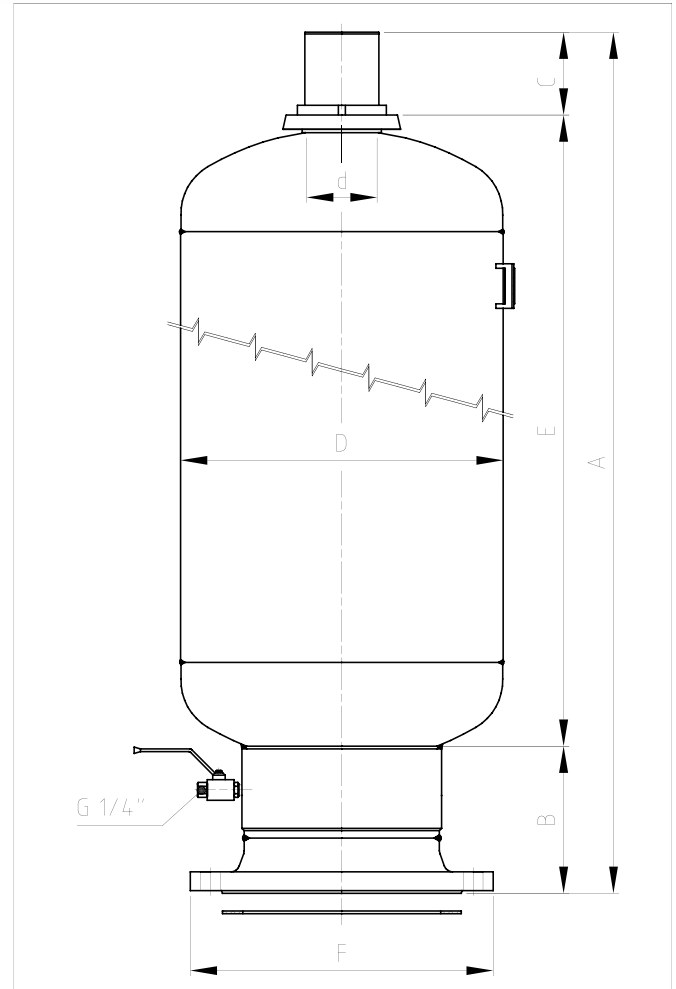
The max. values given in the selection table apply only for a vertical installation (hydraulic assembly downwards). If the accumulator is mounted horizontally or when the volumetric flow is higher, please inquire of OLAER.

Hydraulic fluid

Hydraulic oil (mineral oil).
Other mediums, such as bio-degradable hydraulic oil, non-flammable liquids, water, emulsions, fuels, ect. should be specified at the time of ordering.

Method of mounting

Vertical (hydraulic assembly downwards) to horizontal. Leave a space of 200mm free above the gas inlet valve for attaching the tester and pressurizer instrument.



Installation

Clamps and brackets with rubber core, see data sheet OSP 775 "Accumulator-Accessories".

Model	Gasvol. V ₀ Litre	Work press. bar	Weight kg	Q max. l/min	Dimensions in mm						F	
					A	B	C	ø D	ø d	E	DIN flange DN 200	ANSI flange 8"
IBV 100 - 16 / .. - RF	92	16	85	3000	1355	165	93	362	80	1097	PN 16	150 lbs rf
IBV 100 - 40 / .. - RF	92	40	125	3000	1355	165	93	366	80	1097	PN 40	300 lbs rf
IBV 200 - 16 / .. - RF	210	16	130	3000	2565	165	93	362	80	2307	PN 16	150 lbs rf
IBV 200 - 40 / .. - RF	210	40	210	3000	2565	165	93	366	80	2307	PN 40	300 lbs rf

Issued in accordance with PED 97/23/EC with CE marked

Additional approvals on request

Spare parts list

Models : IBV 100 and IBV 200

Part No.	Part	Rec. spare part
1	Valve cap and gasket	
2	Gas inlet valve and gasket	
3	Gas inlet valve assembly	
4	Nut	
5	Bladder Ø d = 80mm	
6	Bladder assembly Ø d = 80mm	x
7	Protective cap	
14	Gasket assembly (contains all gaskets)	x
17	Grid with spring ring	
18	Ball valve	

Order example :

Bladder assembly for Accumulator IBV 200 - 16 - RF Pos. 6

