



OLAER (Schweiz) AG
 Bonnstrasse 3, CH – 3186 Düringen
 Tel. 026 492 70 00, Fax 026 492 70 70
 E-mail: info@olaer.ch www.olaer.ch

150 to 530 Liter
8 - 40 bar

Construction

OSP 430

Bladder accumulator with grid - welded pressure vessel - all metallic parts in stainless steel - heavy duty gas inlet valve - detachable.

Pre-charge pressure P_0

Between $0,9 P_1$ and $0,2 P_2$, max. 20 bar
 Other pressure ratios on request.

Temperature range

Standard model - 10°C to $+ 100^{\circ}\text{C}$
 Other ranges on request.

Volumetric flow Q

The airflow is dependent on the nominal diameter. If that is fixed the airflow can be demanded.

Hydraulic fluid

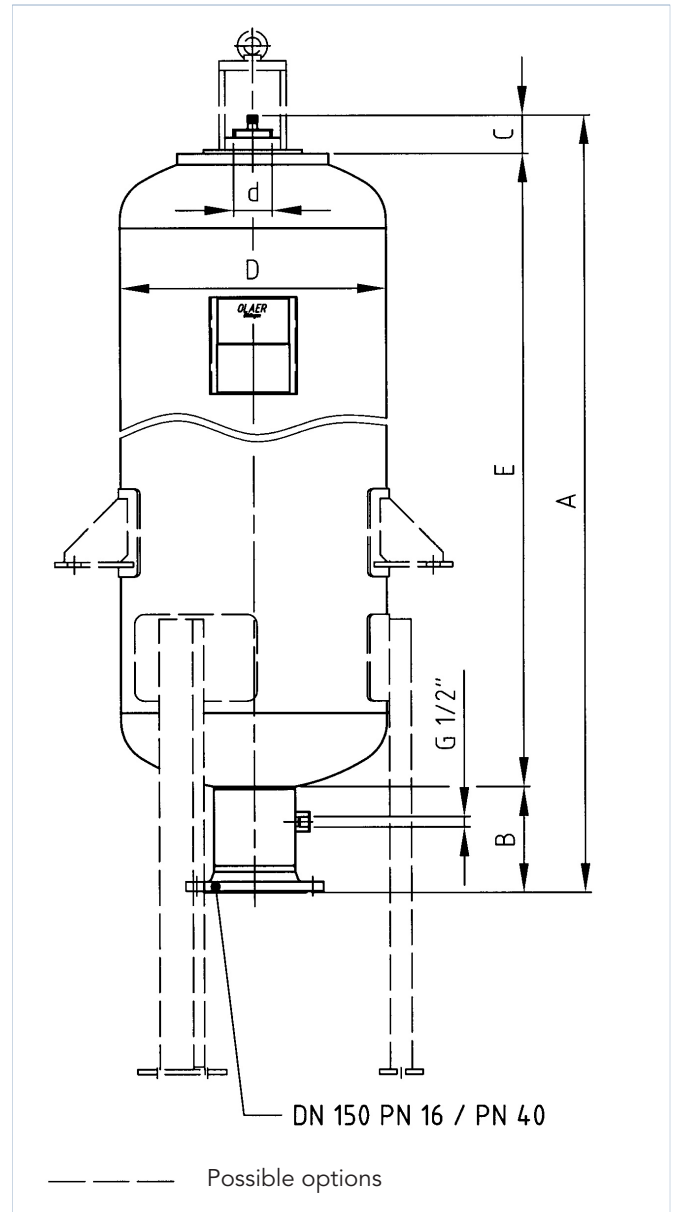
Hydraulic oil (mineral oil)
 Other mediums, such as bio-degradable hydraulic oil, non-flammable liquids, water, emulsions, fuels, ect. should be specified at the time of ordering.

Installation

Vertical (hydraulic assembly downwards) to horizontal.
 Leave a space of 200mm free above the gas inlet valve for attaching the tester and pressurizer instrument.

Method of mounting

Execution on feet or on brackets possible - see data sheet.



Type	Gas-vol. V ₀ Litre	Work. press. bar	Measures for the execution with feet in kg		Dimensions in mm										
					A		B		C		Ø D		E		d
					8 / 16 bar	40 bar	8 / 16 bar	40 bar	8 / 16 bar	40 bar	8 / 16 bar	40 bar	8 / 16 bar	40 bar	8 / 16 bar
IBV 150 - ... / 90 - RF	134	8/16/40	165	240	1027	1047	217	232	80	80	550	570	730	735	63
IBV 300 - ... / 90 - RF	267	8/16/40	205	340	1607	1627	217	232	80	80	550	570	1310	1315	63
IBV 375 - ... / 90 - RF	383	8/16/40	240	430	2137	2157	217	232	80	80	550	570	1840	1845	63
IBV 475 - ... / 90 - RF	467	8/16/40	270	490	2502	2522	217	232	80	80	550	570	2205	2210	63

Issued in accordance with PED 97/23/EC, with CE marked

ASME and additional approvals on request

Manufacturer's tolerances not taken into account

The right to make modifications reserved

Spare parts lists

Models : IBV 150 to 530

Part No.	Part	Rec. spare part
1	Valve cap and gasket	
2	Gas inlet valve and gasket	
3	Gas inlet valve assembly	
5	Bladder $\varnothing d = 63\text{mm}$	
6	Bladder assembly $\varnothing d = 63\text{mm}$	x
8	Anti-extrusions ring / retention washer	x
14	Gasket assembly (contains all gaskets)	x

Order example :

Bladder assembly for Accumulator IBV 150 - 16 - RF Pos. 6

