

OLAER (Schweiz) AG
 Bonnstrasse 3, CH – 3186 Düringen
 Tel. 026 492 70 00, Fax 026 492 70 70
 E-mail: info@olaer.ch www.olaer.ch

Safety Unit DI 10

Description

OSP 710

Nominal diameter:

10mm

Safety valve volumetric flow:

for allowed safety valve volumetric flows, see specifications on the rear side.

Working pressure:

350 bar

Temperature range:

Standard model -20° C to + 70° C
 Other ranges on request.

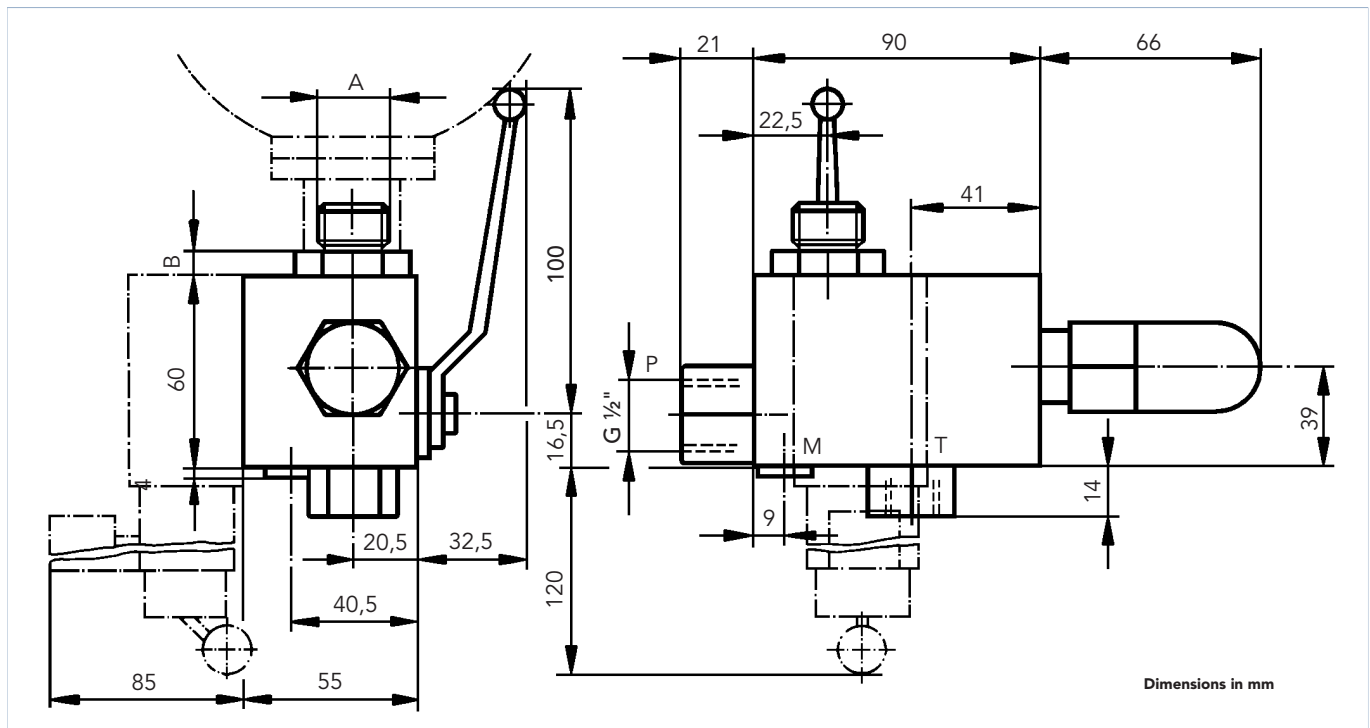
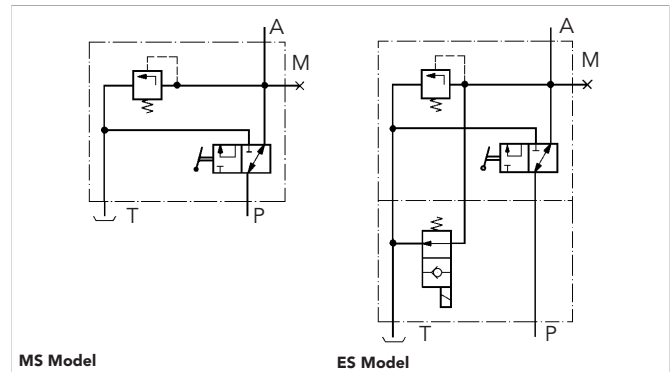
Hydraulic fluid:

Depending on the hydraulic fluid employer, use buna N or FPM (see Model key OSP 705).

Electrical data: (Option)

AC Voltage: 230 V 50 Hz ~
 DC voltage: 24 V =
 Other voltages on request.

Symbol charts:



| A | B | M | T | Weight kg |
|----------|----|--------|--------|-----------|
| G 1/2" | 8 | G 1/4" | G 3/8" | M = 2,3 |
| G 3/4" | 8 | G 1/4" | G 3/8" | |
| G 1 1/4" | 24 | G 1/4" | G 3/8" | E = 3,5 |
| G 2" | 24 | G 1/4" | G 3/8" | |

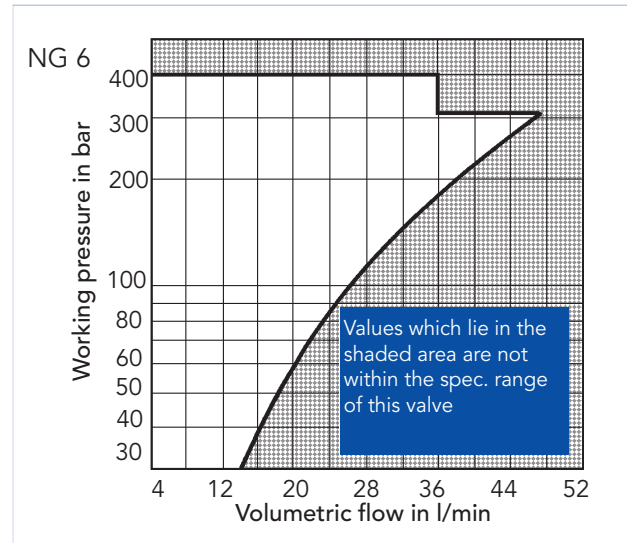
Spare parts list

| Part No | Model | | Part | Rec. Spare Parts |
|---------|-------|---|---|------------------|
| | M | E | | |
| 1 | 1 | 1 | O-Ring | |
| 2 | 1 | 1 | O-Ring | |
| 3 | 1 | 1 | O-Ring | |
| 4 | 1 | 1 | Bearing ring | |
| 5 | 1 | 1 | Gasket ring | |
| 6 | 1 | 1 | Gasket assembly Pressure control valve | x |
| 7 | 1 | 1 | Thrust collar | |
| 8 | 1 | 1 | O-Ring | |
| 9 | 1 | 1 | O-Ring | |
| 10 | 1 | 1 | Moulded ring | |
| 11 | 1 | 1 | Moulded ring | |
| 12 | 1 | 1 | Ball valve gasket assembly | x |
| 13 | 1 | 1 | Gasket ring | |
| 14 | 3 | 3 | O-Ring | |
| 15 | 1 | 1 | O-Ring | |
| 16 | - | 2 | O-Ring | |
| 17 | - | 1 | El. valve gasket assembly | x |

Order example:

Ball valve gasket assembly Prt No. 12 for DI 10 MS

Safety Valve Volumetric Flow:



Pressure loss curve P - A

